

AL'S 1750LP

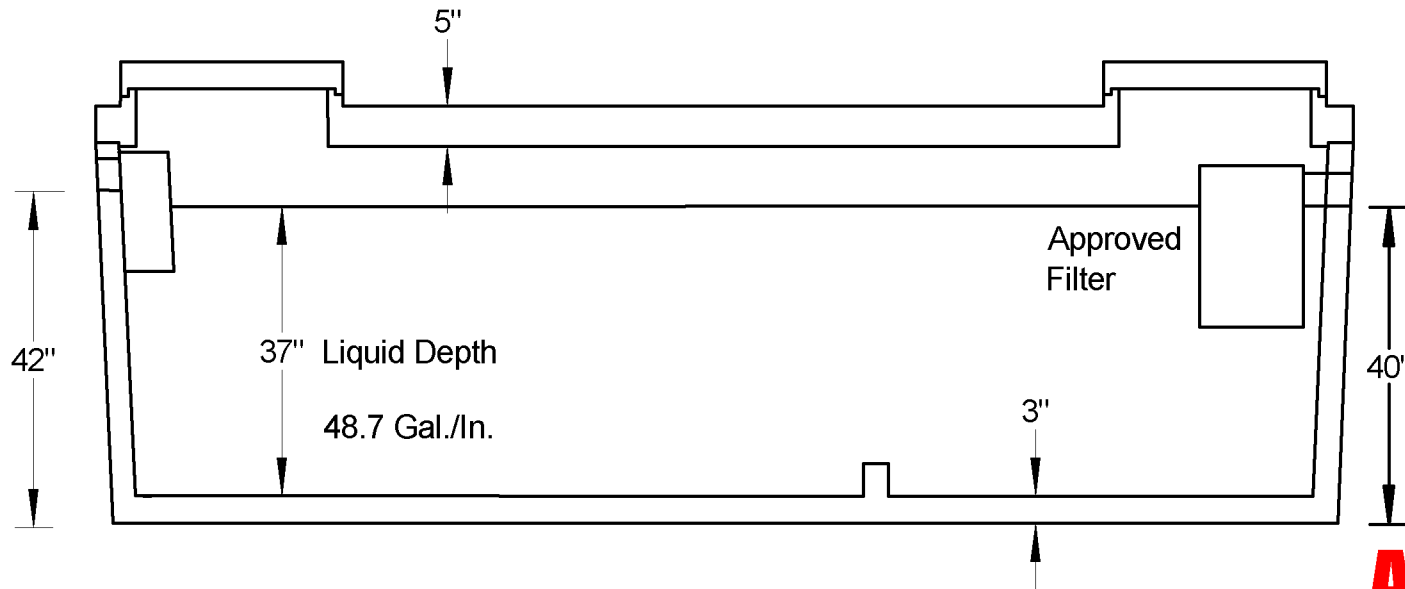
(ALS 1750 S, H, or P)

Model 1750 LP Septic, Holding, Pump Or Siphon.

1801 Gal. Septic 1900 Gal. Holding

863 G.P.D. When Used As A Septic Tank Based On A 3 Yr. Service Interval.

96" Depth Of Bury



DIMENSIONS:

Length: 13'0"

Width: 7'0"

Height: 58"

Below Inlet: 42"

Below Outlet: 40"

Tank Weight: 8564 lbs.

Cover Weight: 5733 lbs.

Total Weight: 14297 lbs.

AL'S 1750LP

AL'S Concrete Products, Inc.
800 Townhall Road . La Crescent, MN 55947

507-895-4509 1-800-982-9263 507-895-6805 Fax

www.alconcreteproducts.com