

AL'S Filter Sedimentation Tank

Model: 24" x 42" Filter Tank

DIMENSIONS:

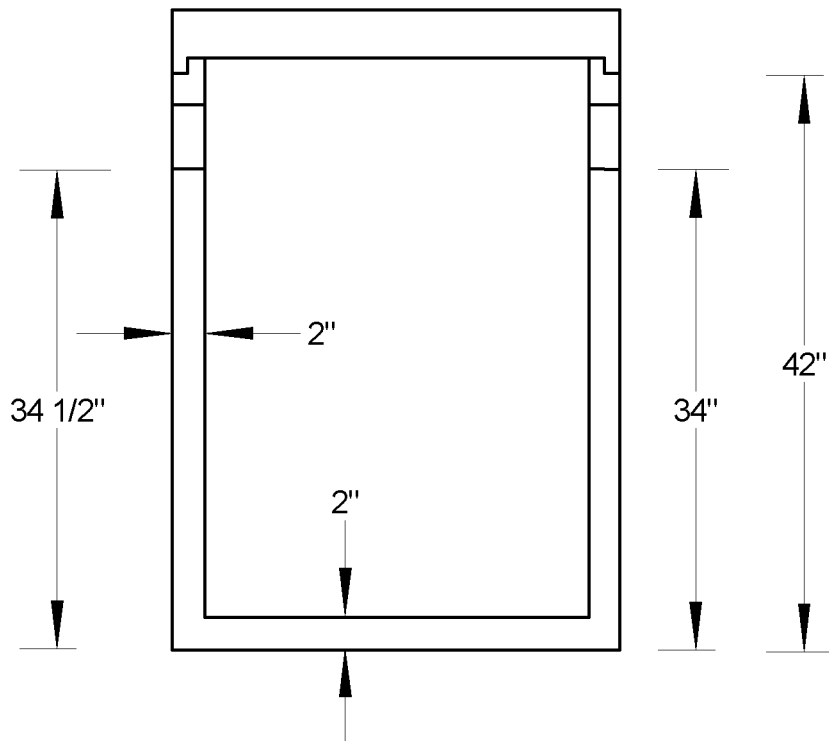
Diameter: 28"

Height: 46"

Below Inlet: 34 1/2"

Below Outlet: 34"

Weight: 675 lbs.



AL'S Concrete Products, Inc.
 800 Townhall Road . La Crescent, MN 55947
 507-895-4509 1-800-982-9263 507-895-6805 Fax

www.alconcreteproducts.com