

AL'S Trash-FAST

Sewage Treatment Apparatus

Model 789 Trash - 1230 FAST

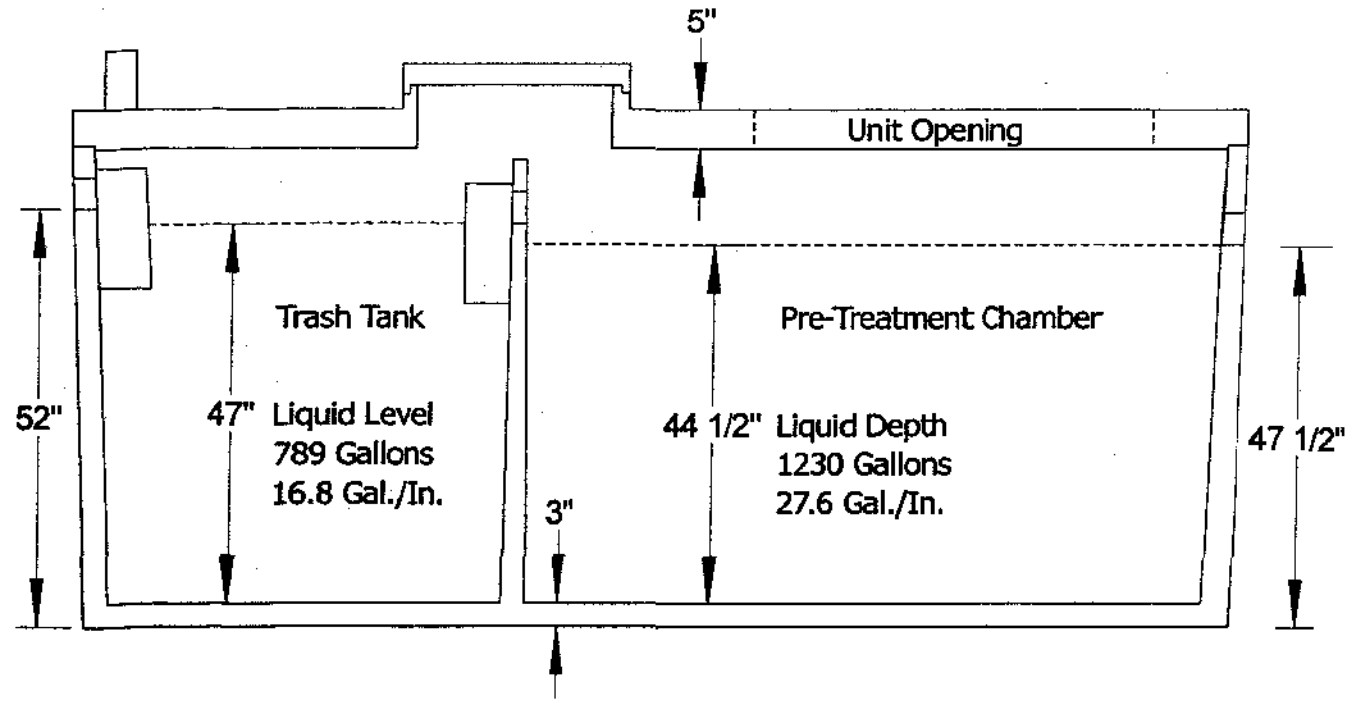
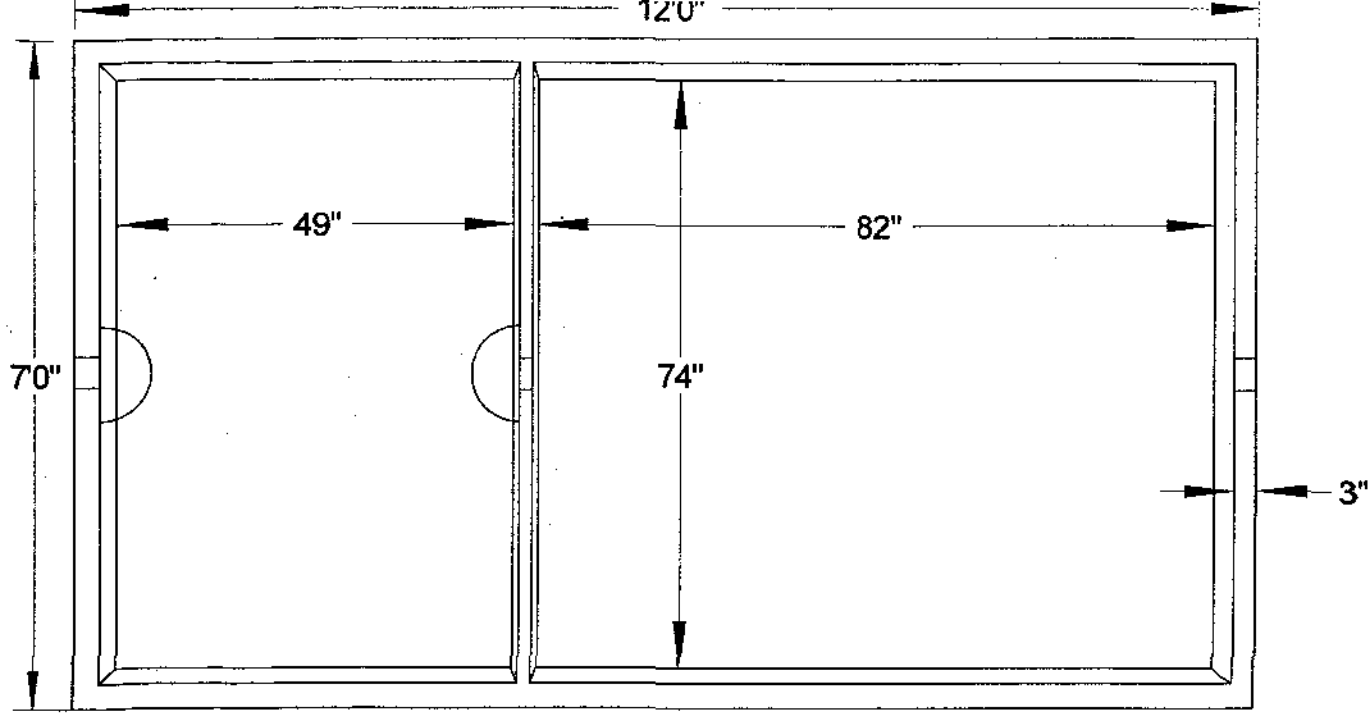
Sewage Treatment Tank For Bio-Microbics 0.5, .75, 0.9, 1.0 High Strength, 1.5 & 1.5 High Strength FAST Systems With An Attached Trash Tank.

96" Max. Depth Of Bury

DIMENSIONS:

- Length: 12'0"
- Width: 7'0"
- Height: 70"
- Below Inlet: 52"
- Below Outlet: 49"

- Tank Weight: 9396 lbs.
- Cover Weight: 7537 lbs.
- Total Weight: 16933 lbs.



AL'S Concrete Products, Inc.
800 Town Hall Road • La Crescent, MN 55947
(507) 895-4509 1-800-982-9263 Fax: 507-895-6805
www.alsconcreteproducts.com