

AL'S 5366

Model 5366 Holding, Pump Or Siphon

5366 Gal. Holding

96" Depth Of Bury

DIMENSIONS:

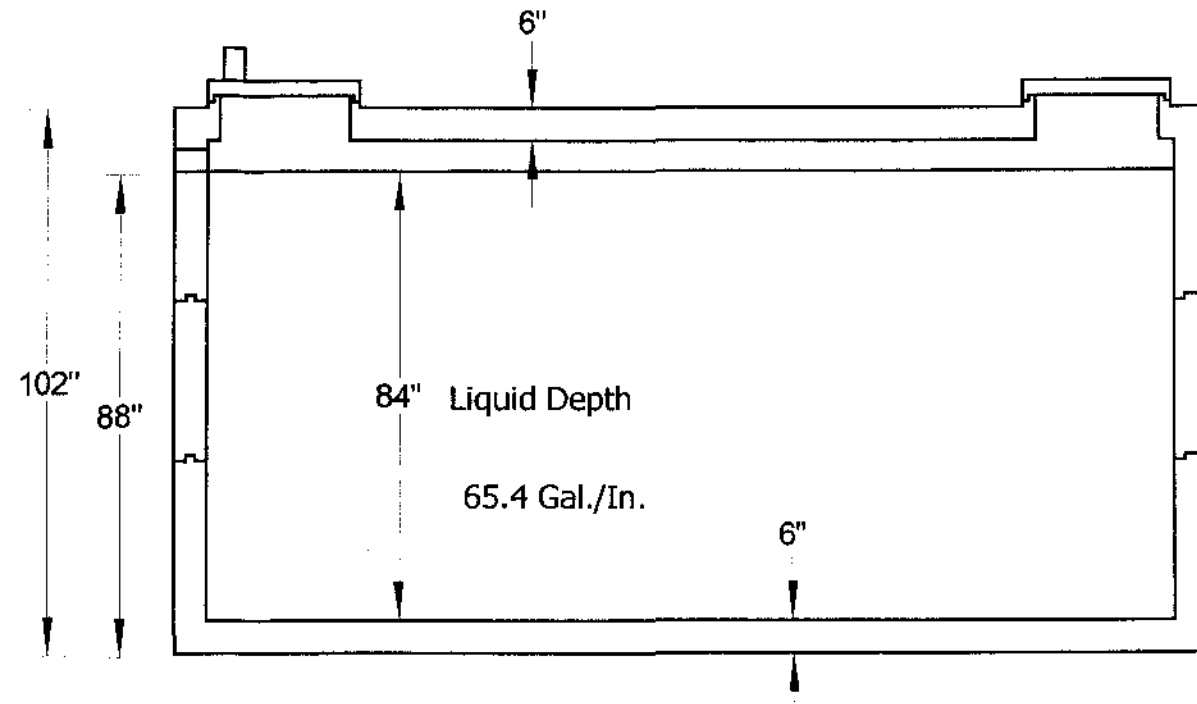
Length: 16' 0"

Width: 8' 0"

Height: 107"

Below Inlet: 88"

Tank Weight: 35500 lbs.



AL'S CONCRETE PRODUCTS

800 Townhall Road, La Crescent, MN 55947

507-895-4509 1-800-982-9263 Fax: 507-895-6805