

AL'S 3000LP 2 COMPARTMENT

Model 3000 2 Compartment Septic

3012 Gal. Septic/Septic

1441 G.P.D. When Used As A
Septic/Septic Based On A 3 Yr.
Service Interval.

96" Depth Of Bury

DIMENSIONS:

Length: 14' 0"

Width: 8' 6"

Height: 70"

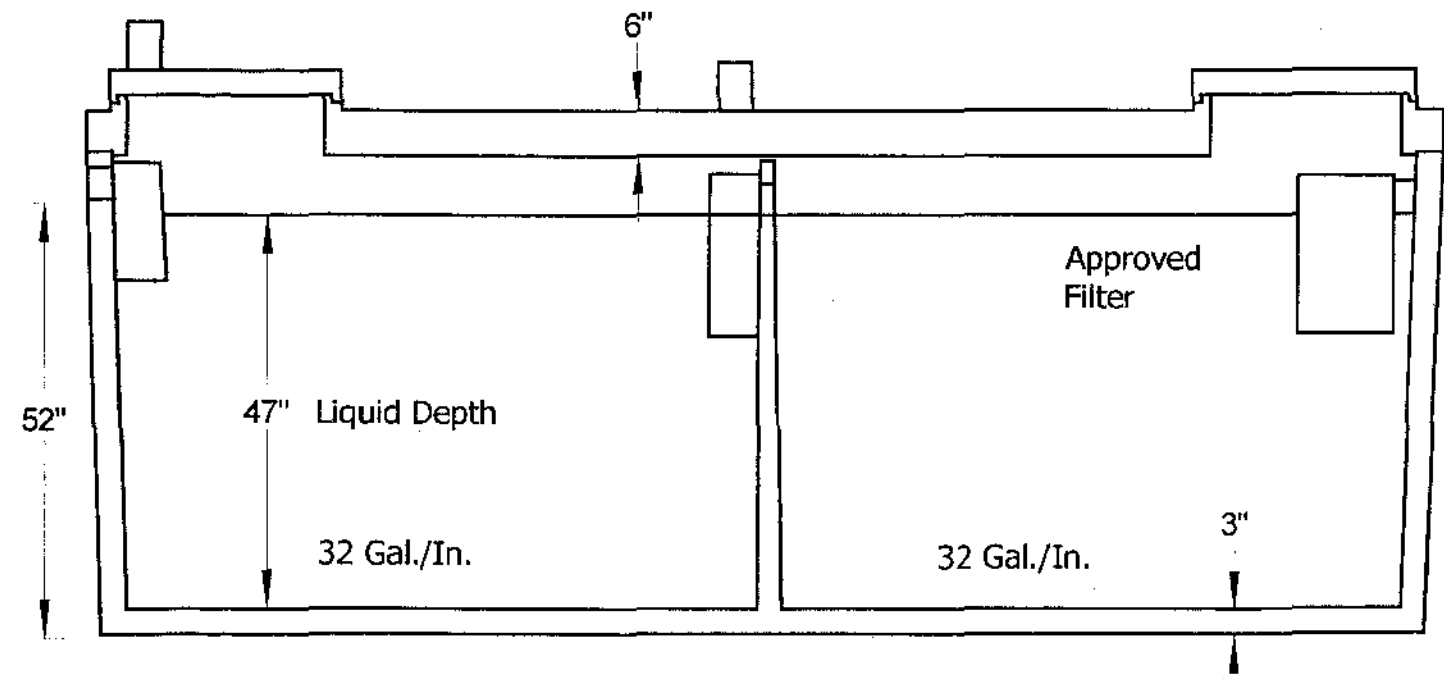
Below Inlet: 52"

Below Outlet: 50"

Tank Weight: 12912 lbs.

Cover Weight: 8925 lbs.

Total Weight: 21837 lbs.



AL'S CONCRETE PRODUCTS
800 Townhall Road, La Crescent, MN 55947
507-895-4509 1-800-982-9263 Fax: 507-895-6805