

# AL'S Filter Sedimentation Tank

Model: 24" x 42" Filter Tank

## DIMENSIONS:

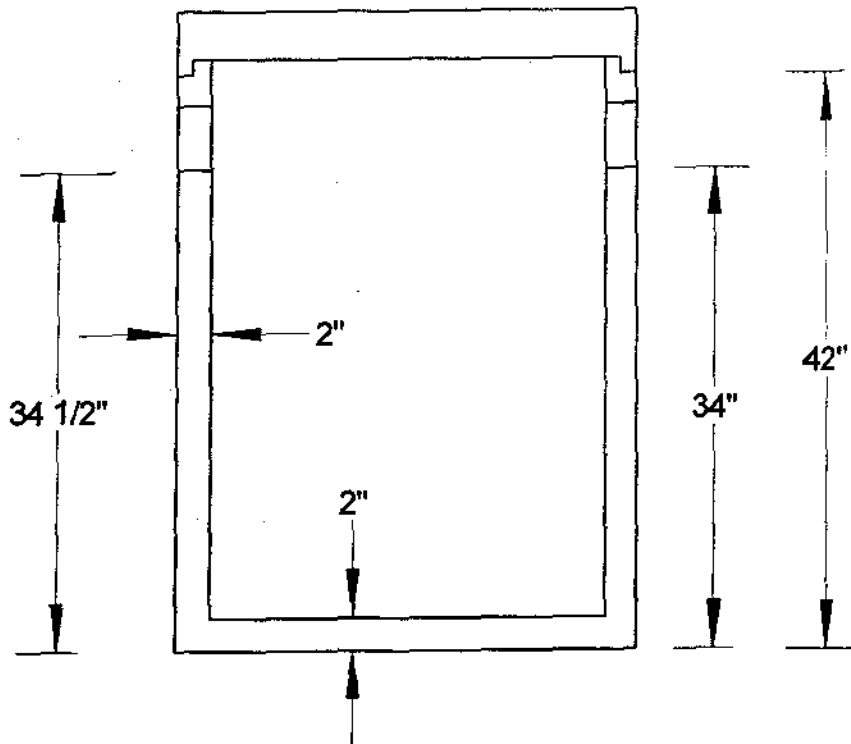
Diameter: 28"

Height: 46"

Below Inlet: 34 1/2"

Below Outlet: 34"

Weight: 675 lbs.



**AL'S Concrete Products, Inc.**  
 800 Town Hall Road • La Crescent, MN 55047  
 (507) 895-4509 1-800-982-9263 Fax: 507-895-6805  
[www.alsconcreteproducts.com](http://www.alsconcreteproducts.com)