

AL'S 2000LP 2 COMPARTMENT

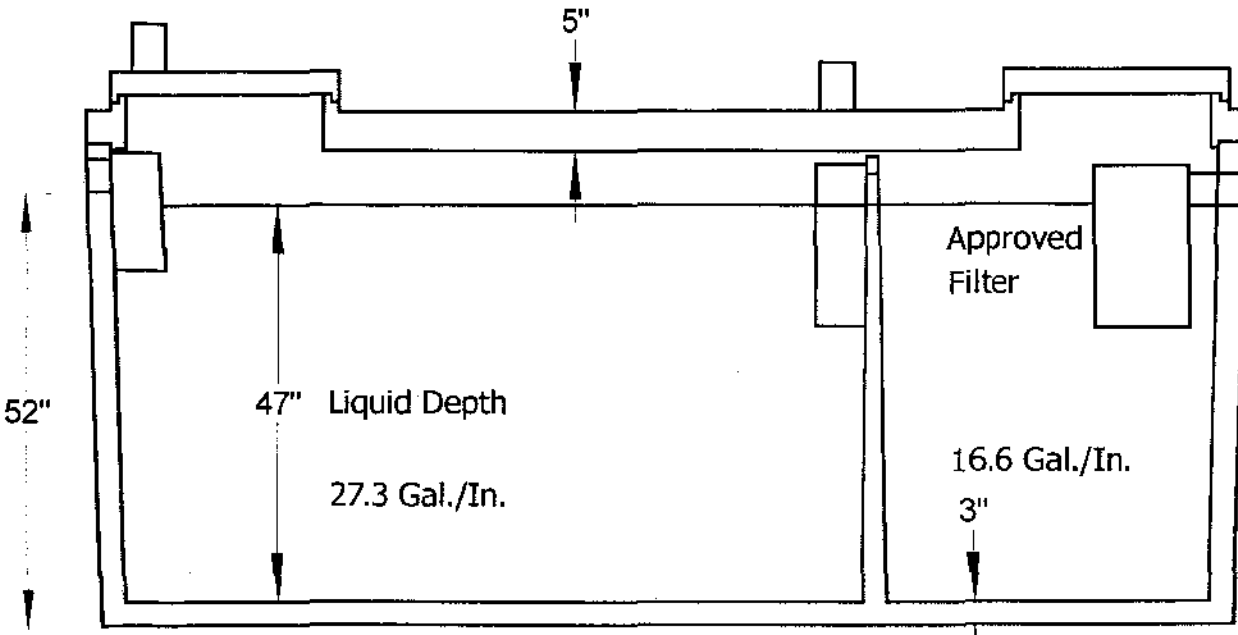
Model 2000 2 Compartment Septic
 2060 Gal. Septic/Septic
 988 G.P.D. When Used As A
 Septic/Septic Based On A 3 Yr.
 Service Interval.

96" Depth Of Bury

DIMENSIONS:

- Length: 12'0"
- Width: 7'0"
- Height: 68"
- Below Inlet: 52"
- Below Outlet: 50"

Tank Weight: 9396 lbs.
 Cover Weight: 5292 lbs.
 Total Weight: 14688 lbs.



AL'S CONCRETE PRODUCTS
 800 Townhall Road, La Crescent, MN 55947
 507 895-4509 1-800-982-9263 Fax: 507-895-6805