

AL'S 1750LP 2 Compartment

Model 1750 2 Compartment Septic

1771 Gal. Septic/Septic

847 G.P.D. When Used As A
Septic/Septic Tank Based On A
3 Yr. Service Interval.

96" Depth Of Bury

DIMENSIONS:

Length: 13'0"

Width: 7'0"

Height: 58"

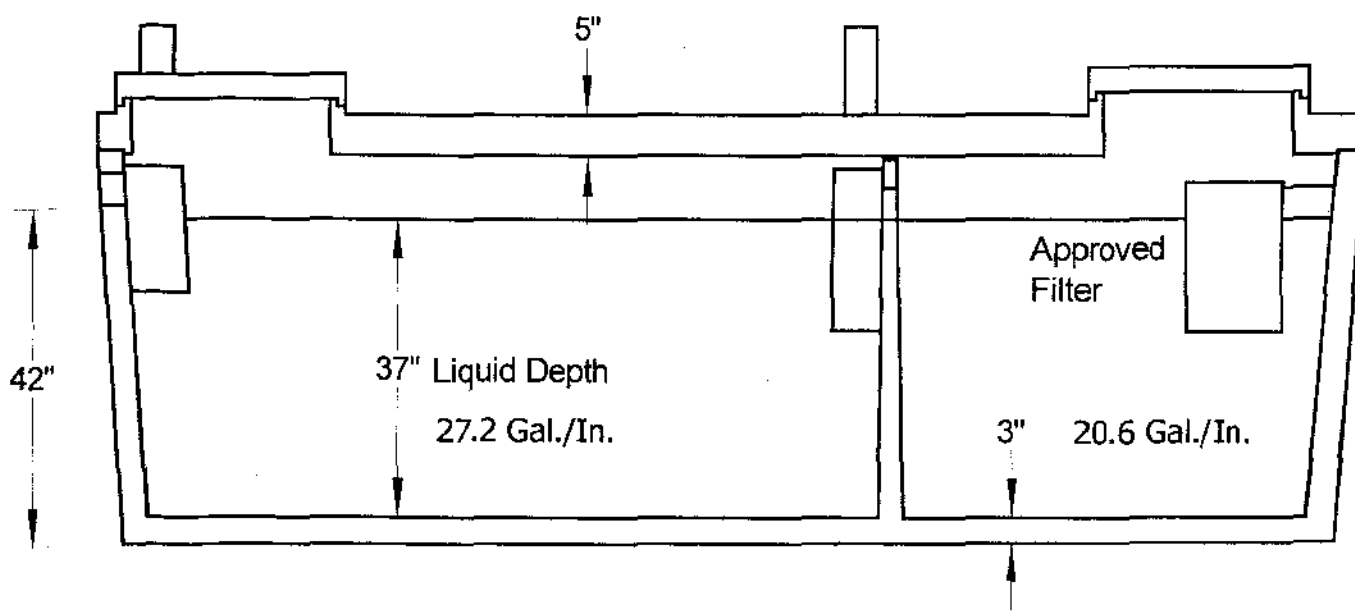
Below Inlet: 42"

Below Outlet: 40"

Tank Weight: 9161 lbs.

Cover Weight: 5733 lbs.

Total Weight: 14894 lbs.



AL'S CONCRETE PRODUCTS
800 Townhall Road, La Crescent, MN 55947
507-895-4509 1-800-982-9263 Fax: 507-895-6805