

HIGH CAPACITY FENCELINE FEED BUNK

Specifications

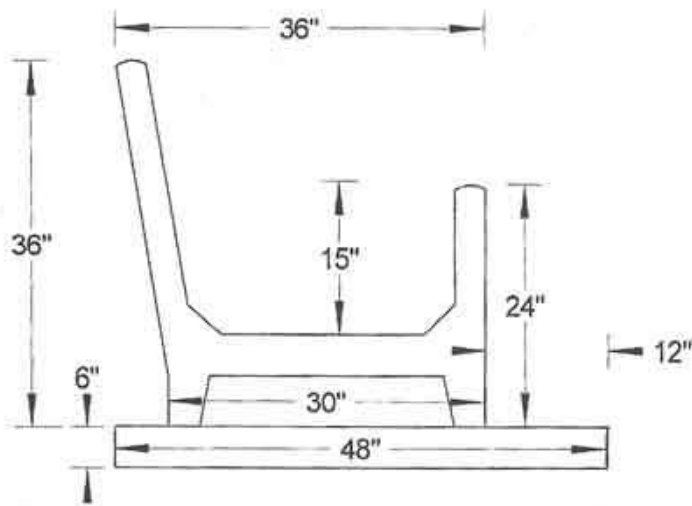
36" Wide
10' Long
15" Trough
2500 lbs. per section

Available in:

19 1/2" Cattle Side Height or
24" Cattle Side Height



We recommend the bunk be placed on a 6" thick slab that is at least 48" wide. The bunk should be positioned with at least 12" of slab on the cattle side.



AL'S Concrete Products, Inc.
800 Townhall Road . La Crescent, MN 55947
507-895-4509 1-800-982-9263 507-895-6805 Fax
www.alsconcreteproducts.com